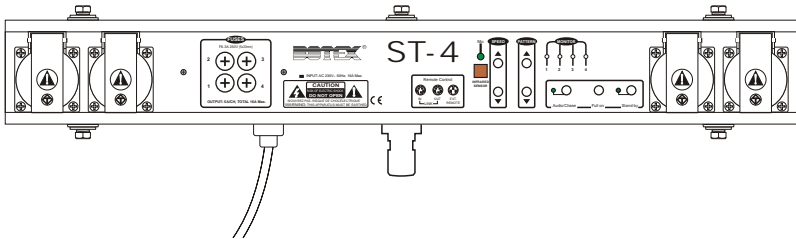




ST-4

4 CH. SMALL T-BAR

## USER'S MANUAL



Please read before use

English





## ST-4

*4 CH. SMALL T-BAR*

Improvement and changes to this manual, specifications and design, may be made at any time without prior notice.

ALL RIGHTS RESERVED.

# Contents

**Features 1**

**General Instructions 2**

**1. Overview 3**

**2. Operation Guide 4**

2.1 Chase Mode 4

2.2 Audio Mode 5

2.3 Full On & Stand By 5

2.4 Linkup 6

2.5 Infrared Remote Control 6

**Technical Specifications 7**

# Features

---

Thank you for purchasing this BOTEX product.

This ST-4 features include:

- 17 built-in patterns with Audio and Chase modes
- Sequence the patterns on music rhythms in Audio mode
- Adjust chasing speed for desired effect in Chase mode
- Full On and Stand By
- Linkup and Infrared remote control

Every effort has been made to design dependability, reliability and comfort into each unit. New products are being designed constantly to meet the needs of both entertainment and the lighting industry. We welcome your comments about our product and services.

It is both a privilege and a pleasure serving you.

# General Instructions

---

Please read through this operating instructions before installing or using your new product. After you have finished reading the instructions, put them away in a safe place for future reference.

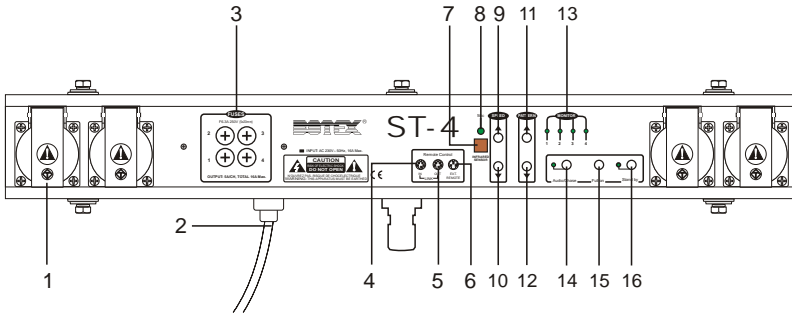
## Safe and Efficient Use

- This product must be earthed.
- Do not make any inflammable liquids, water or metal objects enter the unit.
- Take care not to damage the power cord.
- No user serviceable parts inside, always consult authorized personnel for repairs.
- In the event of a malfunction(burning smell, etc.), immediately stop operation, disconnect the power supply plug, and consult authorized service personnel.
- To prevent fire or shock hazard, do not expose this product to rain or moisture.

## Product Care

- This product is intended for indoor use only.
- Provide occasional ventilation during use.
- Unplug the power plug from the sockets when not using the unit for extended period.
- Do not use the unit in places subject to excessive humidity, vibration or bumps.
- Do not dismantle or modify the unit.

# 1. Overview



- |                          |  |
|--------------------------|--|
| 1. Channel Output        | 5 A/CH., Total 16 A max.   |
| 2. Power Cable:          | Connects to an AC 230V~50Hz power outlet.  |
| 3. Channel Fuses:        | Each of the four channels is protected by a 6.3 A fuse.  |
| 4. Link In:              | This connector accepts information from former unit.   |
| 5. Link Out:             | This connector sends the information to next unit.   |
| 6. External Connector:   | Plugs in external infrared detector.   |
| 7. Infrared Sensor:      | Detects external infrared signal.  |
| 8. Built-in Mic:         | Detects external audio signal.   |
| 9. Speed Up button:      | In Chase mode, press this button to increase the chasing speed. Pressing and holding down will increase quickly.                                     |
| 10. Speed Down button:   | In Chase mode, press this button to decrease the chasing speed. Pressing and holding down will decrease quickly.                                     |
| 11. Pattern Up button:   | Select desired pattern from 17 patterns with increment.  |
| 12. Pattern Down button: | Select desired pattern from 17 patterns with decrease.   |
| 13. Channel LEDs:        | These four LEDs show the current activity of each of the four channels.  |
| 14. Audio/Chase button:  | Tap to activates audio sync of chase and audio intensity effects and its LED lights. A second tap will deactivate this mode and activate Chase mode. |
| 15. Full On button:      | Tap this button to bring all output to full intensity. A second tap will deactivate this function.   |
| 16. Stand By button:     | Tap this button to kill all output and its LED lights. A second tap will deactivate this function.   |

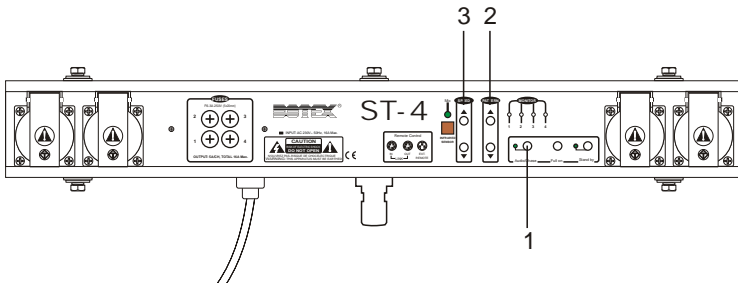
## 2. Operation Guide

---

### General

This unit is a 4 channel chase controller, which allows you to control the light fixture in Chase or Audio mode. Full On or Stand By function is activated by pressing a single button. With Linkup function, this unit can work with more than one unit at the same time.

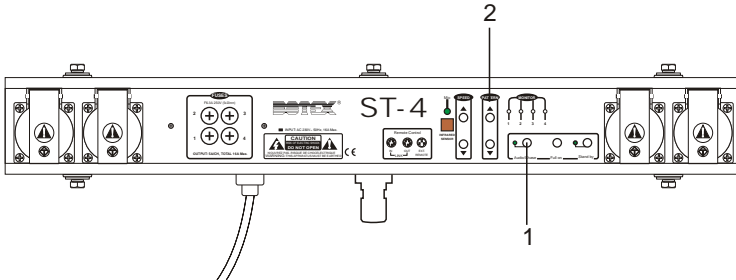
### 2.1 Chase Mode



1. Tap the Audio/Chase button until the LED near to it goes out. If the LED lights, Audio mode is active.
2. Select the pattern you want to chase using Pattern Up or Down buttons.
3. You may select the chasing speed using Speed Up or Down buttons.

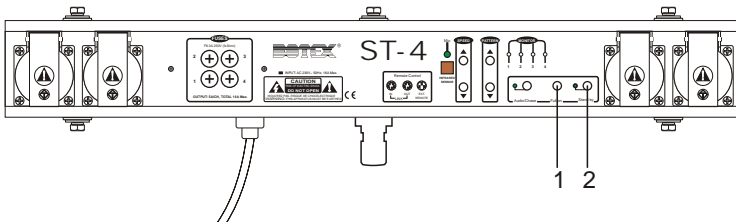
## 2. Before Operation

### 2.2 Audio Mode



1. Tap the Audio/Chase button until the LED near to it lights. If the LED does not light, Chase mode is active.
2. Once Audio mode is activated, the pattern you've selected will chase depending upon the music rhythms detected by the built-in microphone. You may select desired pattern using Pattern Up or Down buttons.

### 2.3 Full On & Stand By



1. Tap the Full On button causing all Channel LEDs light at full intensity at a time, indicating Full On is activated, which will bring all output to full intensity. A second tap of this button will deactivate this function.



## 2. Operation Guide

---

### 2.3 Full On & Stand By

2. Tap the Stand By button until the LED near to it blinks, indicating Stand By is activated, which will kill all output. A second tap of this button will deactivate this function.

### 2.4 Linkup

This unit can work with more than one unit through linkup. Connect the cable from the link out on the first unit to the link in on the next unit, be sure the cable should not exceed 15 meters. Continue linking up to 8 units, daisy-chaining link out to link in. Once the linkup is set up, all other linked units will be controlled by the first unit and any change of the first unit will change all.

### 2.5 Infrared Remote Control

This unit comes with a infrared remote control(sold separately) which allows you to control the Speed, Pattern, Full On and Stand By. With the use of the external infrared detector(sold separately) by plugging in the remote control socket on this unit, you may control this unit at any safe place.

# Technical Specifications

---

Power Input..... AC 230V ~ 50Hz, 16 A max.

Audio Input..... By built-in microphone

Channel Fuses ..... F6.3A 250V 5x20mm

Channel Output ..... 5 A/CH., Total 16 A max.

Dimensions ..... 618x80x156mm

Weight ..... 2.5 Kg





24-004-0519