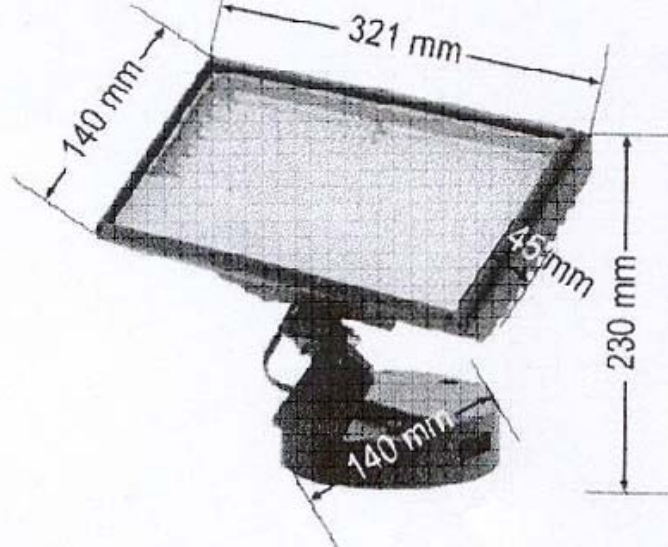


# Product Specification

Model: Showtec LED Wallpainter  
 Voltage : AC 230V-50Hz (CE)  
 Power: 25W  
 IP Rating: IP65  
 DMX Input : 3-pin XLR Male connector  
 DMX Output : 3-pin XLR Female connector  
 Dimensions : 321 x 140 x 230 mm (LxWxH)  
 Weight : 4,9 kg

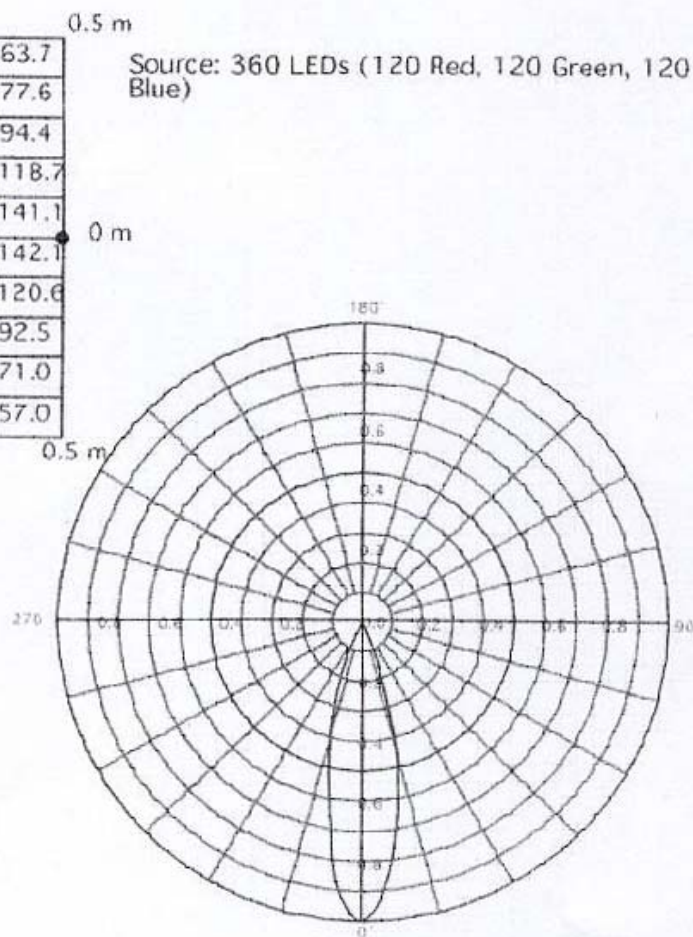


Illuminance Distribution

60.1	70.4	83.4	104.0	117.7	124.3	108.6	90.3	74.9	63.7
76.2	97.5	155.1	248.6	314.0	308.4	240.2	153.3	129.1	77.6
101.9	163.6	320.6	593.5	751.4	684.1	473.8	265.4	149.5	94.4
136.4	269.2	629.9	1047.7	1242.0	1157.9	829.9	475.7	220.6	118.7
156.1	370.1	801.9	1255.1	1619.6	1535.5	1114.0	630.8	281.3	141.1
147.7	329.9	746.7	1205.6	1296.0	1528.9	1129.9	680.4	298.1	142.1
128.9	237.4	529.9	923.4	1203.7	1213.1	943.9	542.9	246.7	120.6
103.7	154.2	291.6	550.5	752.3	761.7	567.3	306.5	144.9	92.5
89.7	112.1	152.3	240.2	317.8	315.9	214.9	135.5	93.5	71.0
72.9	86.9	100.9	116.8	129.9	121.5	101.9	81.3	67.3	57.0

Source Specifications

Source: 360 LEDs (120 Red, 120 Green, 120 Blue)



Units : LX  
 Measured: on white  
 Direction: on Axis  
 Distance from surface: 1m.  
 Multipliers: 0.115 Red  
 0.378 Green  
 0.506 Blue

Illuminance Distribution

Distance (m)	1	2	3	4	5
White	1724.3	456.1	208.4	118.1	74.6
Red	213.1	57.0	27.1	15.2	9.3
Green	700.9	185.9	85.9	47.9	30.4
Blue	937.4	242.9	110.3	62.4	40.4

Testing Circumstances  
 Installation position: horizontal  
 Max. Luminous intensity 1022.806 cd  
 Luminous Flux: 370.7 lm  
 Luminous Efficiency: 11.029 lm/w  
 Beam Angle: 28°

Units : LX  
 Direction: on axis

Design and product specifications are subject to change without prior notice.

